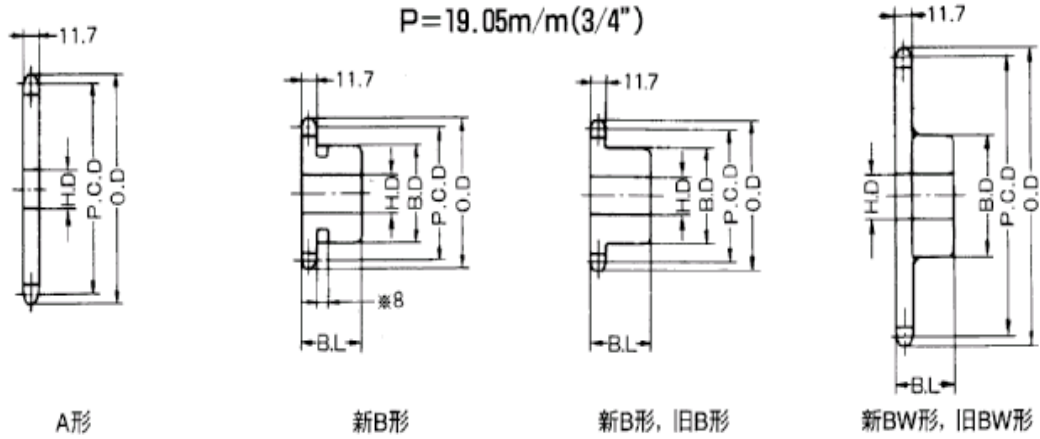


No.60 スプロケット



(単位: mm)

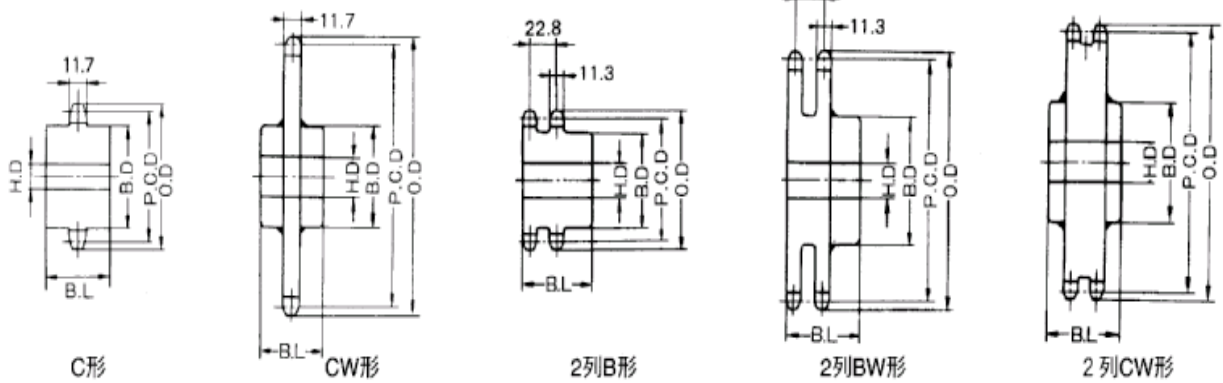
| 歯数 | ピッチ径 P.C.D. | 外径 O.D. | A形 | | 材質 | 新B形・新BW形 | | | | | 材質 | 旧B形・旧BW形 | | | | | 材質 | |
|----|----------------|------------|-------------|----------------|-----|----------|-----|------|-------|----------------|------------|----------|----|----------------|-------|------|----|----------------|
| | | | 軸穴径 H.D. | 概略 重量 kg | | 軸穴径HD | | ボス | | 概略 重量 kg | | 軸穴径HD | ボス | 概略 重量 kg | 軸穴径HD | ボス | | 概略 重量 kg |
| | | | | | | 最小 | 最大 | 径B.D | 長さB.L | | | | | | | | | |
| 8 | 49.78 | 57 | 10 | 0.09 | 普通鋼 | 10 | 16 | 37 | 32 | 0.35 | 新B形 炭素鋼 | | | | | | | 旧B形 炭素鋼 |
| 9 | 55.70 | 63 | 10 | 0.10 | | 10 | 20 | 43 | 32 | 0.40 | | 10 | 20 | 36 | 40 | 0.50 | | |
| 10 | 61.65 | 70 | 14 | 0.20 | | 14 | 23 | 49 | 32 | 0.49 | | 14 | 22 | 39 | 40 | 0.60 | | |
| 11 | 67.62 | 76 | 14 | 0.26 | | 14 | 28 | 51 | 32 | 0.60 | | 14 | 28 | 45 | 40 | 0.70 | | |
| 12 | 73.60 | 83 | 14 | 0.30 | | 14 | 32 | 51 | 32 | 0.69 | | 14 | 32 | 51 | 40 | 0.80 | | |
| 13 | 79.60 | 89 | 14 | 0.37 | | 14 | 35 | 57 | 32 | 0.81 | | 14 | 35 | 56 | 40 | 0.90 | | |
| 14 | 85.61 | 95 | 16 | 0.43 | | 16 | 40 | 62 | 32 | 0.96 | | 16 | 35 | 56 | 40 | 1.00 | | |
| 15 | 91.62 | 101 | 16 | 0.51 | | 16 | 46 | 68 | 32 | 1.10 | | 16 | 35 | 56 | 40 | 1.10 | | |
| 16 | 97.65 | 107 | 16 | 0.60 | | 16 | 48 | 73 | 32 | 1.30 | | 16 | 35 | 56 | 40 | 1.20 | | |
| 17 | 103.67 | 113 | 16 | 0.68 | | 16 | 48 | 73 | 32 | 1.40 | | 16 | 45 | 70 | 40 | 1.60 | | |
| 18 | 109.71 | 119 | 16 | 0.75 | | 16 | 55 | 83 | 40 | 2.00 | | 16 | 45 | 70 | 40 | 1.90 | | |
| 19 | 115.74 | 126 | 16 | 0.88 | | 16 | 55 | 83 | 40 | 2.10 | | 16 | 45 | 70 | 40 | 2.10 | | |
| 20 | 121.78 | 132 | 16 | 0.96 | | 16 | 55 | 83 | 40 | 2.20 | | 16 | 50 | 80 | 45 | 2.40 | | |
| 21 | 127.82 | 138 | 16 | 1.10 | | 16 | 55 | 83 | 40 | 2.30 | | 16 | 50 | 80 | 45 | 2.50 | | |
| 22 | 133.86 | 144 | 16 | 1.15 | | 16 | 55 | 83 | 40 | 2.50 | | 16 | 50 | 80 | 45 | 2.60 | | |
| 23 | 139.90 | 150 | 16 | 1.20 | | 16 | 55 | 83 | 40 | 2.50 | | 16 | 50 | 80 | 45 | 2.80 | | |
| 24 | 145.95 | 156 | 16 | 1.40 | | 16 | 55 | 83 | 40 | 2.60 | | 16 | 50 | 80 | 45 | 3.00 | | |
| 25 | 151.99 | 162 | 16 | 1.51 | | 16 | 55 | 83 | 40 | 2.70 | | 16 | 50 | 80 | 45 | 3.20 | | |
| 26 | 158.04 | 168 | 16 | 1.65 | | 16 | 55 | 83 | 40 | 2.90 | | 16 | 50 | 80 | 45 | 3.30 | | |
| 27 | 164.09 | 174 | 16 | 1.70 | | 16 | 55 | 83 | 40 | 3.00 | | 16 | 50 | 80 | 45 | 3.50 | | |
| 28 | 170.14 | 180 | 16 | 1.90 | | 16 | 55 | 83 | 40 | 3.10 | | 16 | 55 | 85 | 50 | 3.70 | | |
| 29 | 176.20 | 187 | 16 | 2.05 | | 16 | 55 | 83 | 40 | 3.20 | | 16 | 55 | 85 | 50 | 3.80 | | |
| 30 | 182.25 | 193 | 20 | 2.25 | | 20 | 55 | 83 | 40 | 3.40 | | 20 | 55 | 85 | 50 | 4.00 | | |
| 31 | 188.30 | 199 | 20 | 2.40 | | 20 | 55 | 83 | 40 | 3.55 | | 20 | 55 | 83 | 50 | 4.00 | | |
| 32 | 194.35 | 205 | 20 | 2.55 | | 20 | 55 | 83 | 40 | 3.70 | | 20 | 55 | 83 | 50 | 4.15 | | |
| 33 | 200.41 | 211 | 20 | 2.70 | | 20 | 55 | 83 | 40 | 3.85 | | 20 | 55 | 83 | 50 | 4.30 | | |
| 34 | 206.46 | 217 | 20 | 2.90 | | 20 | 55 | 83 | 40 | 4.00 | | 20 | 55 | 83 | 50 | 4.50 | | |
| 35 | 212.52 | 223 | 20 | 3.12 | | 20 | 55 | 83 | 40 | 4.20 | | 20 | 55 | 83 | 50 | 4.72 | | |
| 36 | 218.57 | 229 | 20 | 3.21 | | 20 | 55 | 83 | 40 | 4.40 | | 20 | 55 | 83 | 50 | 4.81 | | |
| 37 | 224.63 | 235 | 20 | 3.45 | | 20 | 55 | 83 | 40 | 4.60 | | 20 | 55 | 83 | 50 | 5.64 | | |
| 38 | 230.69 | 241 | 20 | 3.56 | 20 | 55 | 83 | 40 | 4.80 | 20 | 55 | 83 | 50 | 5.16 | | | | |
| 39 | 236.74 | 247 | 20 | 3.83 | 20 | 55 | 83 | 40 | 4.95 | 20 | 55 | 83 | 50 | 6.09 | | | | |
| 40 | 242.80 | 253 | 20 | 4.05 | 20 | 55 | 83 | 40 | 5.10 | 20 | 55 | 83 | 50 | 5.65 | | | | |
| 41 | 248.86 | 260 | 20 | 4.22 | 20 | 63 | 93 | 45 | 5.50 | 20 | 55 | 83 | 50 | 6.43 | | | | |
| 42 | 254.92 | 266 | 20 | 4.37 | 20 | 63 | 93 | 45 | 6.00 | 20 | 55 | 83 | 50 | 5.97 | | | | |
| 45 | 273.09 | 284 | 20 | 5.08 | 20 | 63 | 93 | 45 | 6.70 | 20 | 55 | 83 | 50 | 6.68 | | | | |
| 48 | 291.27 | 302 | 20 | 5.75 | 20 | 63 | 93 | 45 | 7.40 | 20 | 55 | 83 | 50 | 7.35 | | | | |
| 50 | 303.39 | 314 | 20 | 6.25 | 20 | 63 | 93 | 45 | 7.90 | 20 | 55 | 83 | 50 | 7.85 | | | | |
| 54 | 327.63 | 338 | 20 | 7.25 | 20 | 63 | 93 | 45 | 8.90 | 20 | 55 | 83 | 50 | 9.81 | | | | |
| 60 | 363.99 | 375 | 20 | 9.00 | 20 | 63 | 93 | 45 | 10.60 | 20 | 55 | 83 | 50 | 10.60 | | | | |
| 65 | 394.30 | 405 | 20 | 10.60 | 20 | 75 | 107 | 45 | 12.80 | 20 | 55 | 83 | 50 | 12.20 | | | | |
| 70 | 424.61 | 436 | 20 | 12.20 | 20 | 75 | 107 | 45 | 14.40 | 20 | 75 | 108 | 70 | 16.10 | | | | |
| 75 | 454.92 | 466 | 20 | 13.00 | 20 | 75 | 107 | 45 | 16.30 | 20 | 75 | 108 | 70 | 19.00 | | | | |
| 80 | 485.23 | 496 | 20 | 14.00 | 20 | 75 | 107 | 45 | 17.30 | 20 | 75 | 108 | 70 | 21.00 | | | | |
| 85 | 515.54 | 527 | 20 | 15.90 | 20 | 75 | 107 | 45 | 22.00 | 20 | 75 | 108 | 70 | 23.69 | | | | |
| 90 | 545.85 | 557 | 20 | 18.30 | 20 | 75 | 107 | 45 | 24.00 | 20 | 75 | 108 | 70 | 26.57 | | | | |

⇒ 歯先高周波焼入れ

* BW形、新BW形の歯数36~90のものは溶接タイプ・材質は普通鋼(炭素鋼で一体物もあり)

No.60 スプロケット

P=19.05m/m(3/4")



(単位 : mm)

| 歯数 | C形・CW形 | | | | | 新B形・2列B形・2列BW形 | | | | | 2列CW形 | | | | | | | |
|----|--------|----|------|-------|---------|----------------|-------|----|------|-------|---------|----|-------|----|------|-------|---------|----|
| | 軸穴径HD | | ボス | | 概略重量 kg | 材質 | 軸穴径HD | | ボス | | 概略重量 kg | 材質 | 軸穴径HD | | ボス | | 概略重量 kg | 材質 |
| | 最小 | 最大 | 径B.D | 長さB.L | | | 最小 | 最大 | 径B.D | 長さB.L | | | 最小 | 最大 | 径B.D | 長さB.L | | |
| 9 | 12 | 20 | 32 | 45 | | | | | | | | | | | | | | |
| 10 | 12 | 22 | 37 | 45 | | | 16 | 22 | 37 | 50 | 0.70 | | | | | | | |
| 11 | 15 | 28 | 45 | 45 | | | 16 | 28 | 45 | 50 | 0.80 | | | | | | | |
| 12 | 15 | 32 | 51 | 45 | | | 16 | 32 | 51 | 50 | 1.10 | | | | | | | |
| 13 | 15 | 35 | 57 | 45 | | | 18 | 35 | 57 | 50 | 1.30 | | | | | | | |
| 14 | 15 | 38 | 64 | 45 | | | 18 | 38 | 64 | 56 | 1.70 | | | | | | | |
| 15 | 17 | 42 | 70 | 45 | | | 18 | 42 | 70 | 56 | 2.00 | | | | | | | |
| 16 | 17 | 48 | 76 | 45 | | | 18 | 48 | 76 | 56 | 2.40 | | | | | | | |
| 17 | 17 | 55 | 82 | 45 | | | 18 | 55 | 82 | 56 | 2.80 | | | | | | | |
| 18 | 17 | 58 | 88 | 45 | | | 18 | 58 | 88 | 56 | 3.10 | | | | | | | |
| 19 | 17 | 65 | 94 | 45 | | | 18 | 65 | 94 | 56 | 3.60 | | | | | | | |
| 20 | 20 | 65 | 100 | 45 | | | 23 | 65 | 100 | 56 | 4.10 | | | | | | | |
| 21 | 20 | 65 | 100 | 45 | | | 23 | 65 | 100 | 56 | 4.50 | | | | | | | |
| 22 | 20 | 65 | 100 | 45 | | | 23 | 65 | 100 | 56 | 5.00 | | | | | | | |
| 23 | 20 | 65 | 100 | 45 | | | 23 | 65 | 100 | 56 | 4.60 | | | | | | | |
| 24 | 20 | 80 | 120 | 45 | | | 23 | 80 | 120 | 56 | 4.80 | | | | | | | |
| 25 | 20 | 80 | 120 | 45 | | | 23 | 80 | 120 | 56 | 5.00 | | | | | | | |
| 26 | 20 | 80 | 120 | 45 | | | 23 | 80 | 120 | 56 | 5.30 | | | | | | | |
| 27 | 20 | 80 | 120 | 45 | | | 23 | 80 | 120 | 56 | 5.50 | | | | | | | |
| 28 | 20 | 80 | 120 | 45 | | | 23 | 80 | 120 | 56 | 5.90 | | | | | | | |
| 29 | 20 | 80 | 120 | 45 | | | 23 | 80 | 120 | 56 | 6.00 | | | | | | | |
| 30 | 20 | 50 | 83 | 55 | 4.12 | | 28 | 85 | 130 | 56 | 6.50 | | | | | | | |
| 31 | 20 | 50 | 83 | 55 | 4.64 | | 28 | 85 | 130 | 56 | 6.80 | | | | | | | |
| 32 | 20 | 50 | 83 | 55 | 4.69 | | 28 | 85 | 127 | 56 | 7.00 | | | | | | | |
| 33 | 20 | 50 | 83 | 55 | 4.75 | | 28 | 85 | 127 | 56 | 7.40 | | | | | | | |
| 34 | 20 | 50 | 83 | 55 | 4.94 | | 28 | 85 | 127 | 56 | 7.60 | | | | | | | |
| 35 | 20 | 50 | 83 | 55 | 5.05 | | 28 | 85 | 127 | 56 | 7.80 | | | | | | | |
| 36 | 20 | 50 | 83 | 55 | 5.44 | | 28 | 65 | 98 | 56 | 8.00 | | 28 | 70 | 108 | 80 | 9.70 | |
| 38 | 20 | 50 | 83 | 55 | 5.85 | | 28 | 65 | 98 | 56 | 9.20 | | 28 | 70 | 108 | 80 | 11.00 | |
| 40 | 20 | 50 | 83 | 55 | 6.22 | | 28 | 65 | 98 | 56 | 9.70 | | 28 | 70 | 108 | 80 | 12.80 | |
| 42 | 20 | 50 | 83 | 60 | 6.90 | | 28 | 70 | 107 | 56 | 11.00 | | 28 | 70 | 108 | 80 | 14.00 | |
| 45 | 20 | 60 | 93 | 60 | 7.61 | | 28 | 70 | 107 | 71 | 12.80 | | 28 | 70 | 108 | 80 | 16.00 | |
| 48 | 20 | 60 | 93 | 60 | 8.28 | | 28 | 70 | 107 | 71 | 14.00 | | 28 | 70 | 108 | 80 | 18.00 | |
| 50 | 20 | 60 | 93 | 60 | 8.78 | | 28 | 70 | 107 | 71 | 16.00 | | 28 | 70 | 108 | 80 | 19.00 | |
| 54 | 20 | 60 | 93 | 60 | 9.82 | | 28 | 70 | 107 | 71 | 18.00 | | 28 | 70 | 108 | 80 | 20.00 | |
| 60 | 20 | 60 | 93 | 60 | 11.80 | | 28 | 70 | 107 | 71 | 21.50 | | 28 | 80 | 118 | 85 | 25.00 | |
| 65 | 20 | 70 | 108 | 70 | 13.40 | | 28 | 70 | 107 | 71 | 26.00 | | 28 | 80 | 118 | 85 | 28.00 | |
| 70 | 20 | 70 | 108 | 70 | 16.60 | | 28 | 70 | 107 | 71 | 29.00 | | 28 | 80 | 118 | 85 | 33.00 | |
| 75 | 20 | 70 | 108 | 70 | 19.60 | | 28 | 85 | 128 | 71 | 40.50 | | 28 | 80 | 118 | 85 | 42.00 | |
| 80 | 20 | 70 | 108 | 70 | 21.50 | | 28 | 85 | 128 | 71 | 47.00 | | 28 | 80 | 118 | 85 | 49.00 | |
| 85 | 20 | 70 | 108 | 70 | 23.80 | | | | | | | | 28 | 80 | 118 | 85 | 51.00 | |
| 90 | 20 | 70 | 108 | 70 | 26.20 | | | | | | | | 28 | 80 | 118 | 85 | 53.00 | |

⇒ 歯先高周波焼入れ

* CW形全々と2列BW形の歯数36～80のものは溶接タイプ・材質は普通鋼